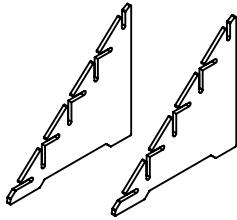


#18004, #18433, #18434, #18435 Wooden 4 Tier Countertop Step Display

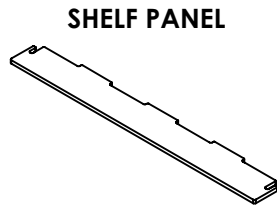
ASSEMBLY INSTRUCTIONS

READ ALL INSTRUCTIONS BEFORE YOU BEGIN. DO NOT JUMP AHEAD OF ANY STEP.

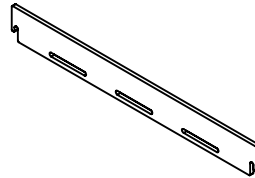
PARTS LIST:



SIDE PANEL
(2 pcs)

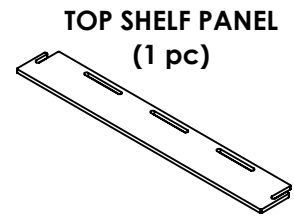


SHELF PANEL
18004, 18435 - 3x
18433, 18434 - 2x

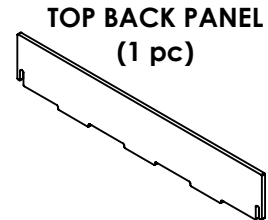


BACK PANEL

18004, 18435 - 3x
18433, 18434 - 2x



TOP SHELF PANEL
(1 pc)



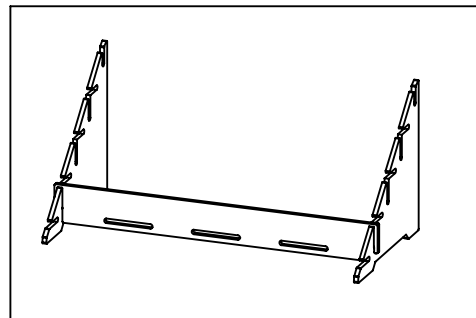
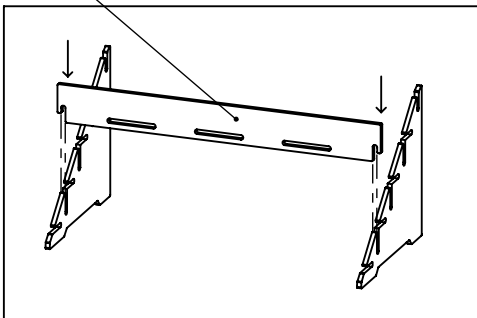
TOP BACK PANEL
(1 pc)

*** Recommended: 1 Person Assembly**

****No Tools Required**

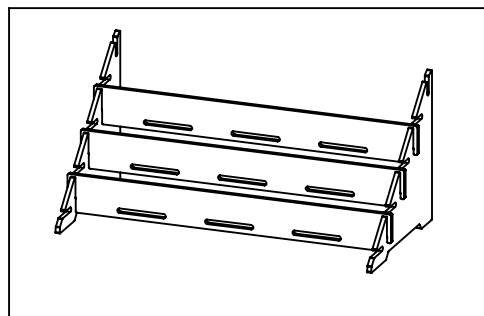
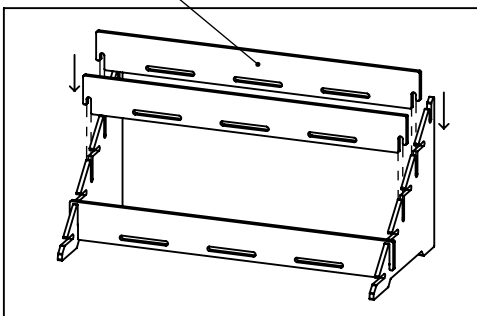
STEP 1: On an even flat surface stand both Side Panels upright, as shown below. While holding the Side Panels upright, simultaneously slide the slots of a Back Panel into the first vertical slots of both Side Panels.

Back Panel



STEP 2: Repeat STEP 1 for the remaining Back Panels.

Back Panels

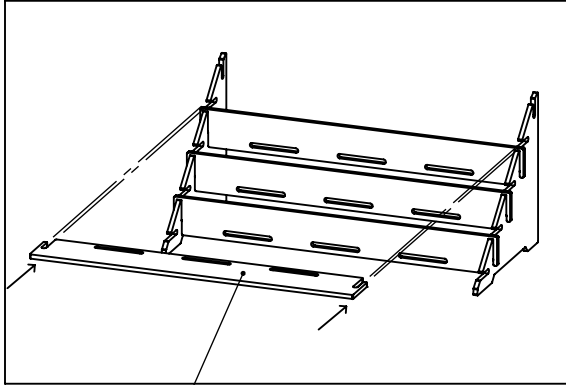


#18004, #18433, #18434, #18435 Wooden 4 Tier Countertop Step Display

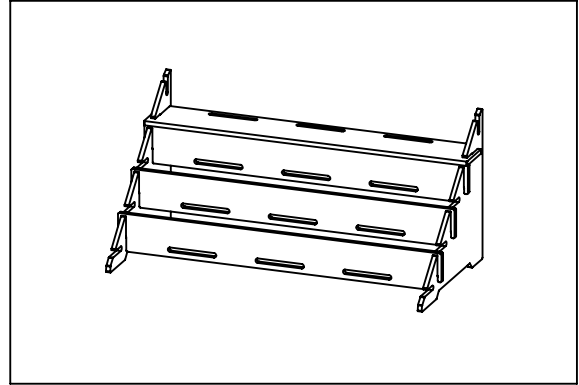
ASSEMBLY INSTRUCTIONS

READ ALL INSTRUCTIONS BEFORE YOU BEGIN. DO NOT JUMP AHEAD OF ANY STEP.

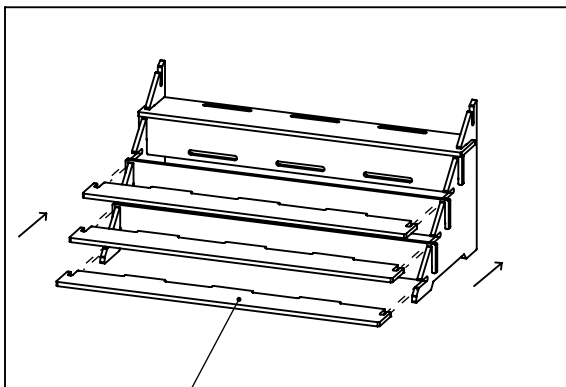
STEP 3: Insert the Top Shelf Panel into the top horizontal slot on both Side Panels, as shown below.



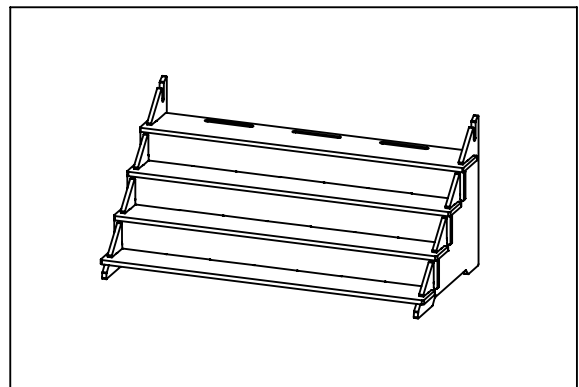
Top Shelf Panel



STEP 4: Insert the Shelf Panels into the remaining horizontal slots on both Side Panels as shown below.



Shelf Panels

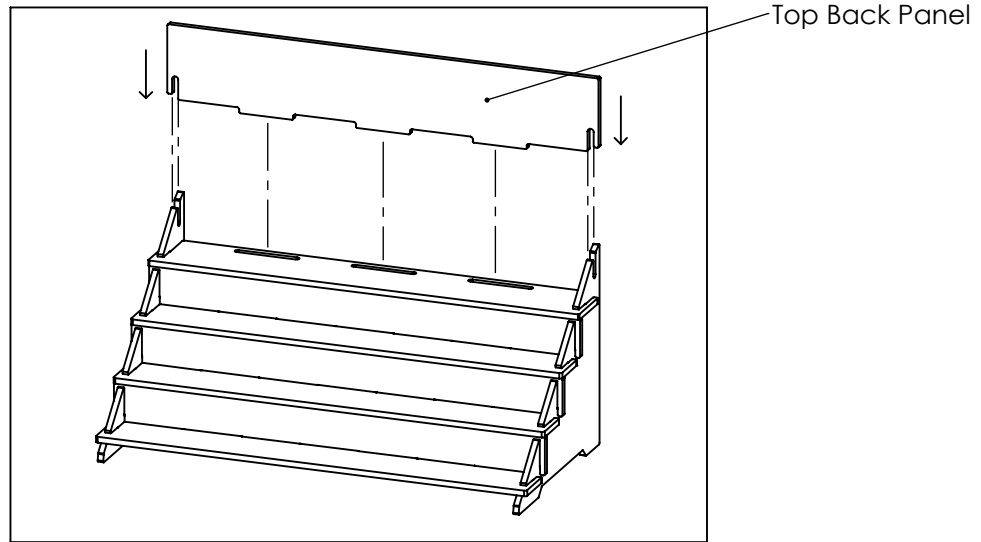


#18004, #18433, #18434, #18435 Wooden 4 Tier Countertop Step Display

ASSEMBLY INSTRUCTIONS

READ ALL INSTRUCTIONS BEFORE YOU BEGIN. DO NOT JUMP AHEAD OF ANY STEP.

STEP 5: Insert the Top Back Panel into the top vertical slot on both Side Panels as shown below. *Note: If needed, using a rubber mallet (sold separately), gently tap the parts into place.*



COMPLETED ASSEMBLY

